



Universal low cost USB DuoCeiver™ using nRF2401™

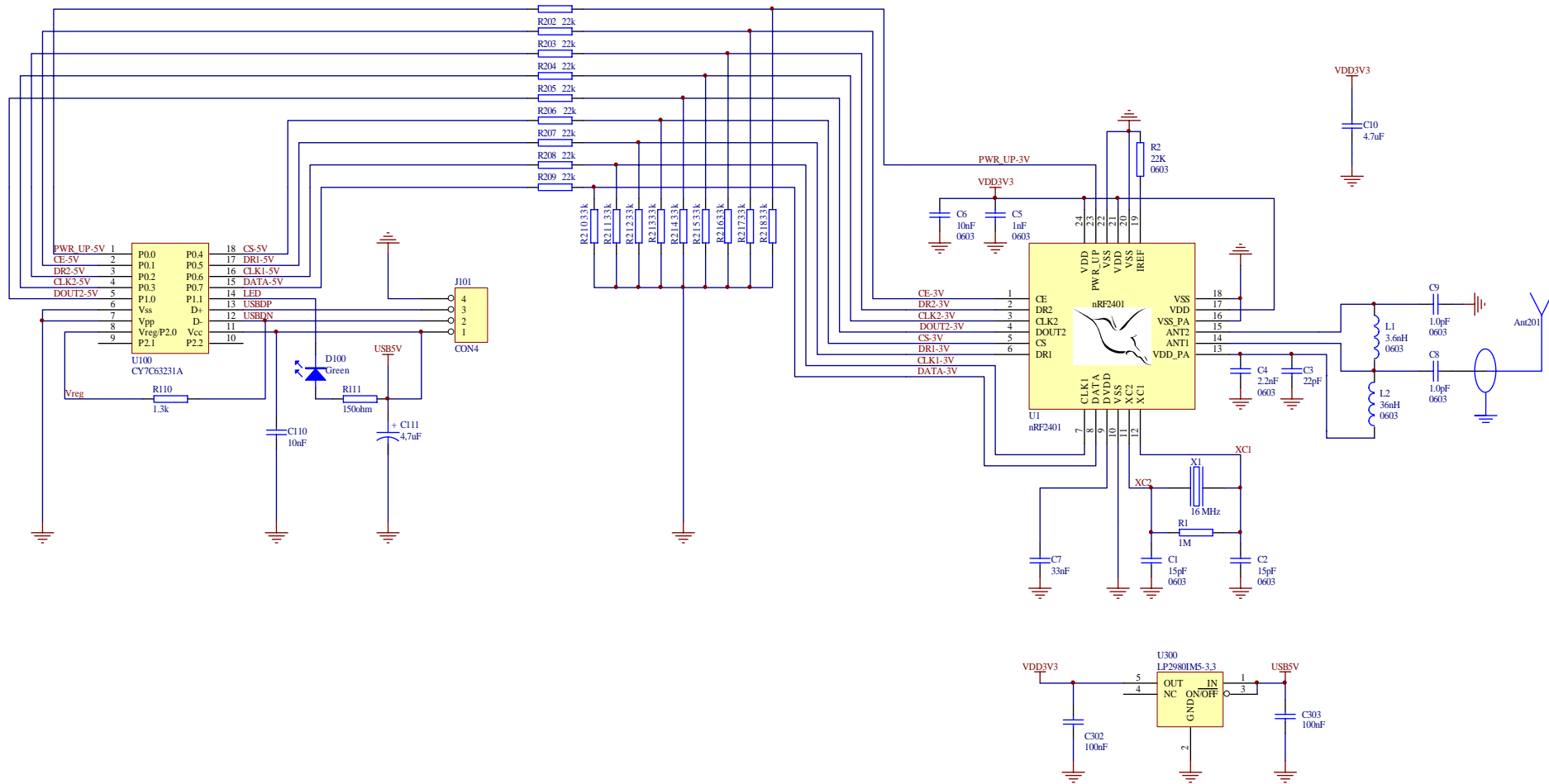


Figure 6 Schematics of the Low Cost USB DuoCeiver™